



UTEX INDUSTRIES, INC.

Superior Seals Designed & Manufactured in the USA by UTEX® / ISO 9001:2015 Certified

WIRE MESH

# UTEX® INNOVATION: KNITTED WIRE MESH

## UTEX PATENTED COMBINATION: TEXFOIL®/WIRE MESH PRODUCTS

UTEX has patented the process of blending graphite composite with knitted wire mesh (U.S. Patent No. 4219204). **This unique process allows graphite composite to penetrate into opening spaces of the wire mesh, creating better performance characteristics than individual rings of mesh or graphite.**

The combination of graphite composite and wire mesh products have a wide range of applications from valve stem packing to down-hole packers. The patented process can be customized to fit specific applications. UTEX offers numerous wire sizes and material grades that can be formed to various densities depending on the application. Combined with our TEXFOIL®, which is a flexible graphite, and formed to specific densities, you have a customized sealing product that will work in static or dynamic applications and resist extrusion.

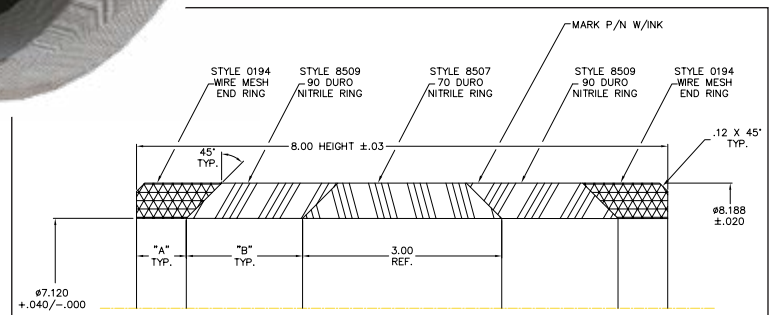
### UTEX WIRE MESH BENEFITS:

- **Increased Temperature Range:** +400°F to +1000°F
- **Non-Oxidizing Service:** +1000°F
- **Oxidizing Service:** +650°F
- **Patented Process**
- **Anti-Extrusion Device:**  
Reduces extrusion in the e-gap



**U.S. PATENT NO.  
4,219,204**

**/ SAMPLE:**  
packer element with dual durometer elastomer and wire mesh





UTEX INDUSTRIES, INC.

Superior Seals Designed & Manufactured in the USA by UTEX® / ISO 9001:2015 Certified

# UTEX® INNOVATION: KNITTED WIRE MESH

## AVAILABLE IN A VARIETY OF RECOMMENDED DENSITIES FROM 60% TO 81%

The following specifications are for parts with a projected area less than 12 in<sup>2</sup>:

STYLE NO.	DESCRIPTION
180	<b>0.0045"</b> Dia 304 SS Wire and Graphite / Approx. 50% Graphite by Weight
190	0.0045" Dia 304 SS Wire
185	0.0045" Dia 316 SS Wire, Metal Specs Certifiable
195	0.0045" Dia 316 SS Wire
181	0.0045" Dia Copper Wire and Graphite / Approx. 50% Graphite by Weight
191	0.0045" Dia Copper Wire
182	<b>0.008"</b> Dia 316 SS Wire and Aramid Yarn / Approx. 25% Aramid by Weight
184	0.008" Dia 316 SS Wire, Aramid Yarn, PTFE / Approx. 9% Aramid & Approx 65% PTFE by Weight
188	<b>0.009"</b> Dia 316 SS Wire with Three-Strand Construction, Metal Specs Certifiable
192	<b>0.011"</b> Dia 304 SS Wire
183	0.011" Dia 316 SS Wire and Graphite / Approx. 40% Graphite by Weight
194	0.011" Dia 316 SS Wire, Metal Specs Certifiable
189	0.011" Dia 5% Phosphor Bronze Wire
193	0.011" Dia Copper Wire
197	0.011" Dia Inconel® 600 Wire
186	<b>0.014"</b> Dia 316 SS Wire, Metal Specs Certifiable
196	0.014" Dia 316 SS Wire

Inconel® is a Registered Trademark of Special Metals Corporation.

## FORMED MESH & MESH COMPOSITE TOLERANCES

### Diametrical

Diameter, in.	Tolerance, in.
0" to 4"	± 0.010
4" to 12"	± 0.012
Over 12"	± 0.001 x dia

### Height or Thickness

Height, in.	Tolerance, in.
0" to <sup>3</sup> / <sub>8</sub> "	± 0.010
<sup>3</sup> / <sub>8</sub> " to <sup>5</sup> / <sub>8</sub> "	± 0.015
Over <sup>5</sup> / <sub>8</sub> "	± 0.030

### Cross Sectional

Cross Section, in.	Tolerance, in.
0" to <sup>3</sup> / <sub>8</sub> "	± 0.005
<sup>3</sup> / <sub>8</sub> " to <sup>5</sup> / <sub>8</sub> "	± 0.006
<sup>5</sup> / <sub>8</sub> " to 1"	± 0.008
1" to 1 ½"	± 0.012
1 ½" to 2"	± 0.016
Over 2"	Inquire

Contact your UTEX Sales Rep today to find out more.

© 2020 UTEX INDUSTRIES, INC. ALL RIGHTS RESERVED. 202143 v2020:Q4

[utexind.com](http://utexind.com)

**UTEX INDUSTRIES, INC.**  
10810 Katy Freeway, Suite 100  
Houston, TX 77043  
**800.359.9229**

**UTEX®** > THE TRUSTED LEADER IN WEAR COMPONENT DESIGN